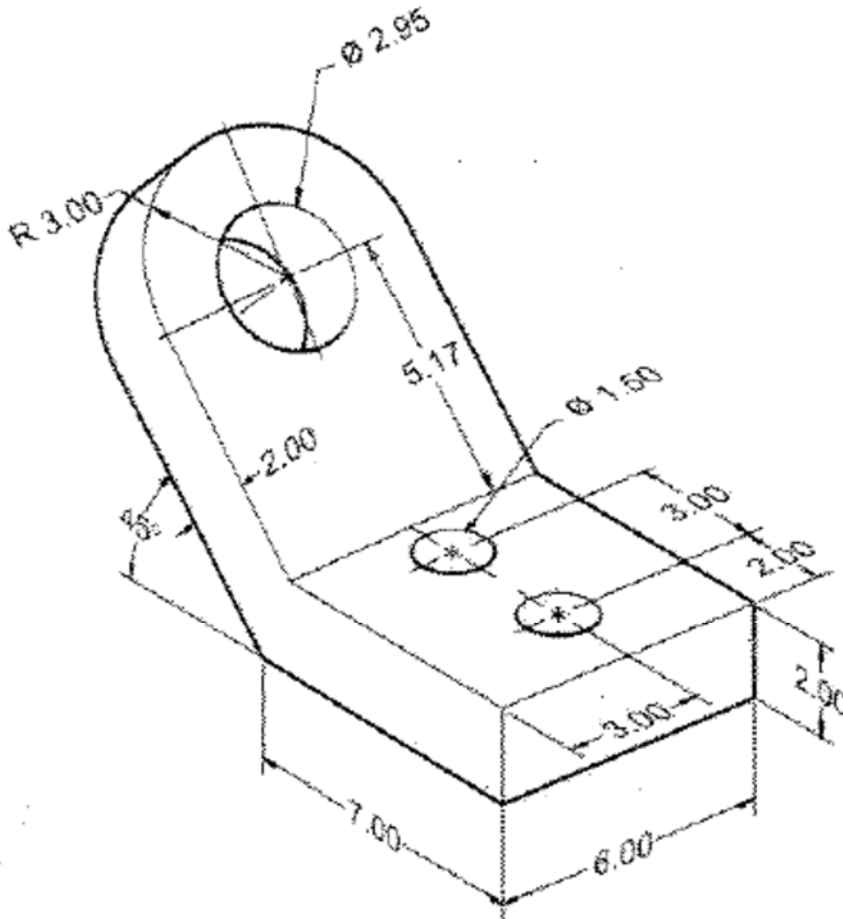


Engr 210
Homework #12

Name: _____

1. Draw the top and front views of the given solid, then create an auxiliary view showing the true size of the inclined plane. Use a scale of 1:4.



2. Sketch the indicated auxiliary view.

