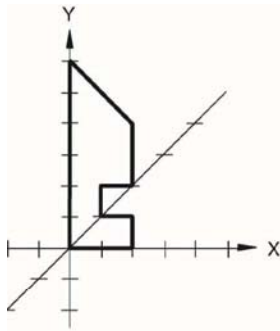


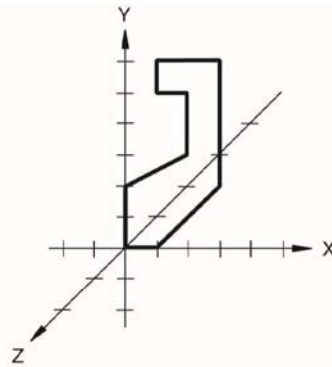
Engr 210
Homework #3

Workbook Problems:

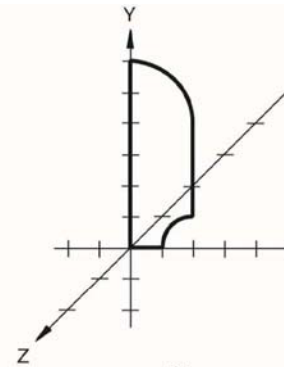
4.1 Linear Sweep: Sketch the resulting solid model if the given profiles were to be linearly swept 2 units along the +Z axis.



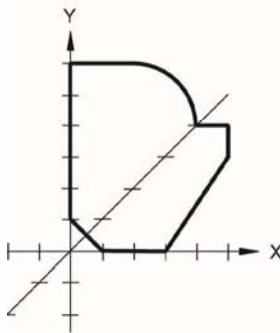
(A)



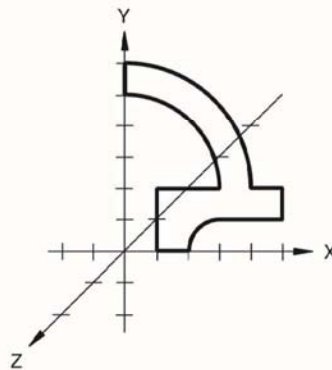
(B)



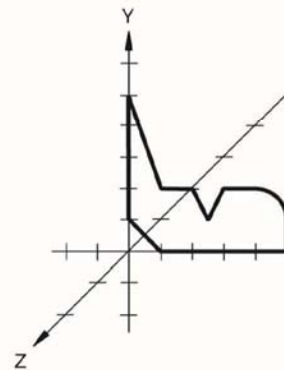
(C)



(D)

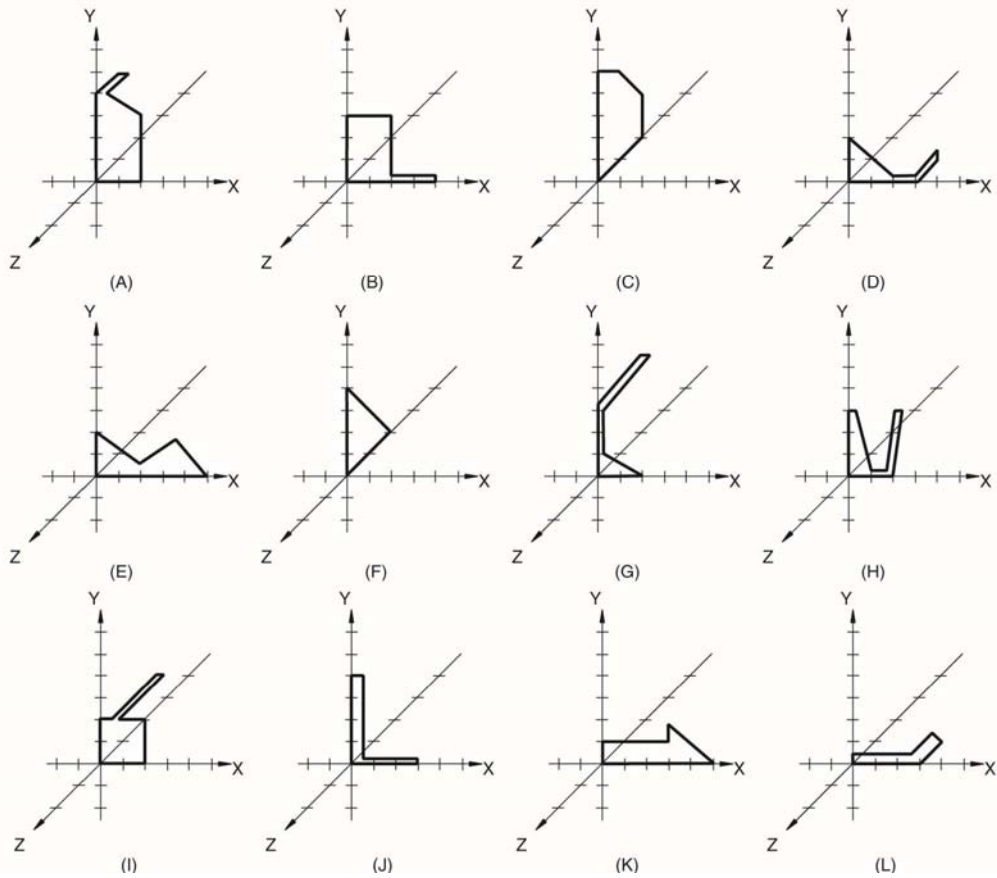
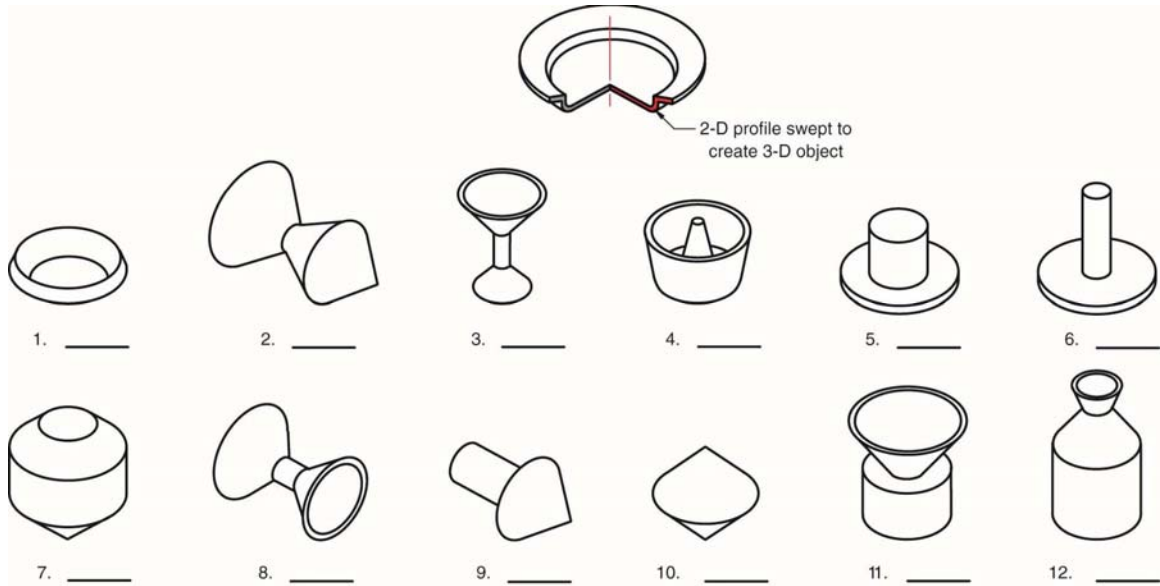


(E)

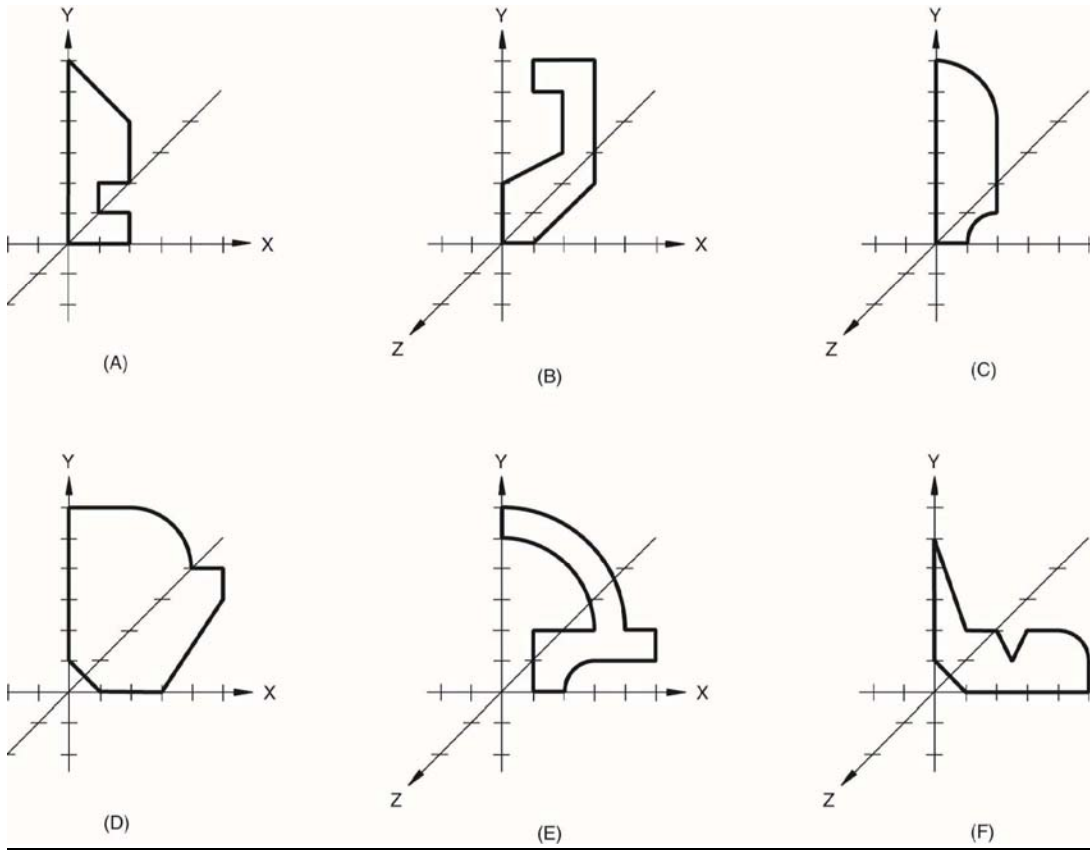


(F)

4.2 Circular Sweep: In the figure below, there are 12 objects swept using 12 different profiles. Match the objects with the same profile used to create 3-D objects.



4.3 Circular Sweep: Sketch the resulting solid model if the given profiles were to be circularly swept 360 degrees about the Y axis.



4.4 Boolean Operations: Given the three overlapping solid primitives, make a sketch of the resulting solid after applying the following Boolean operations: $A - B - C$.

