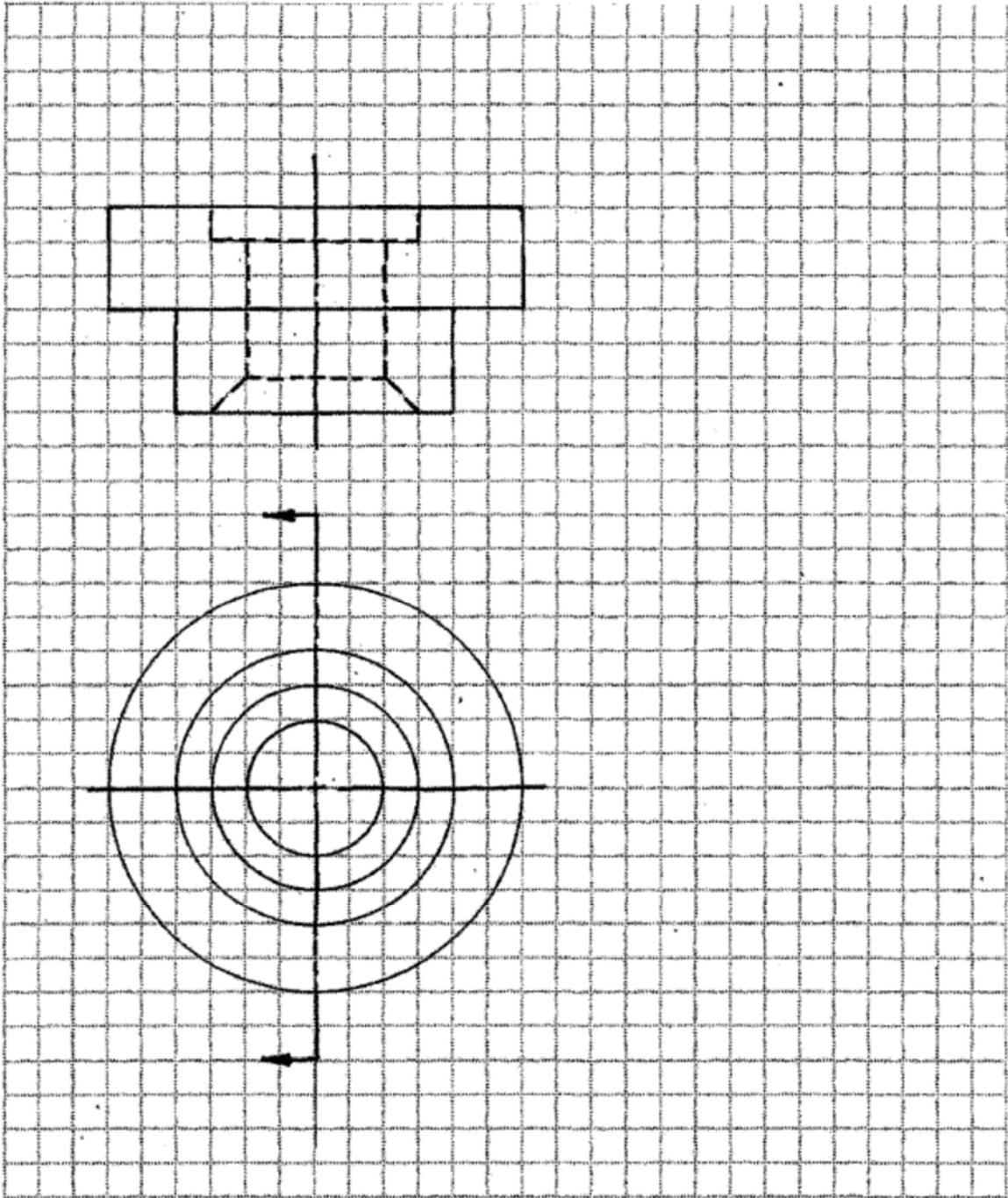
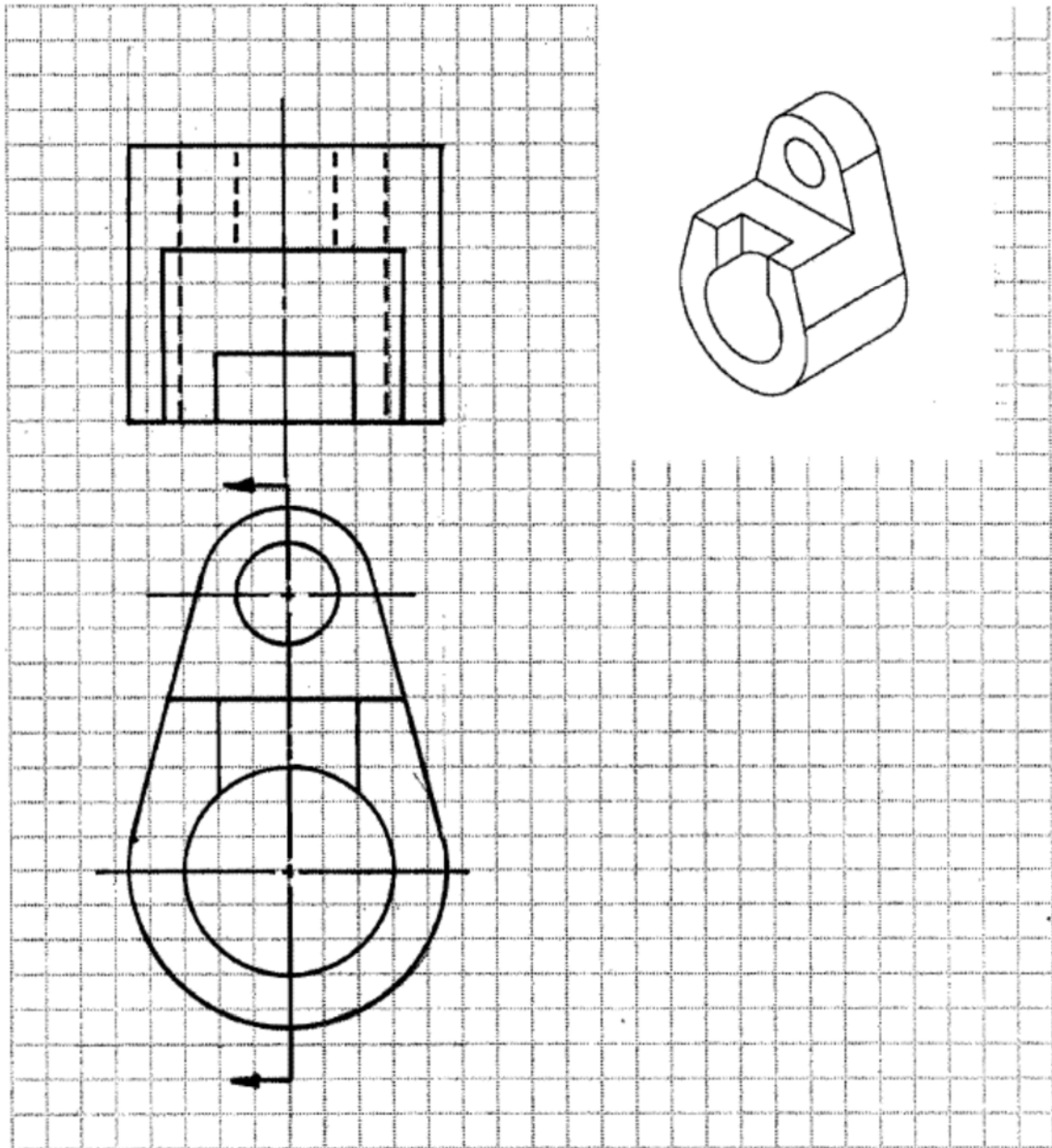


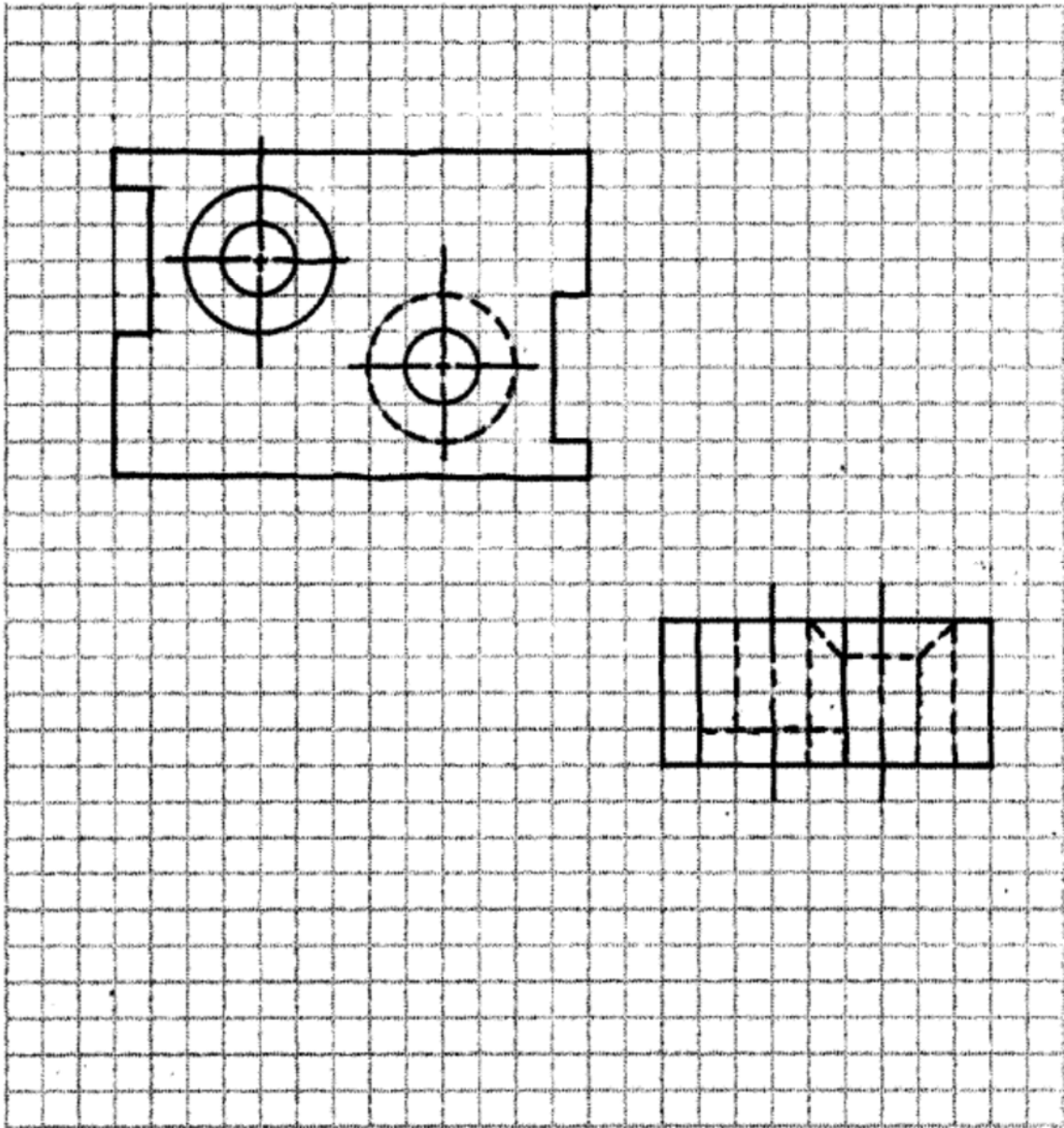
1. Sketch the section required by the cutting plane.



2. Sketch the Right Side section view as determined by the cutting plane.



3. The right side view is confusing because there are too many hidden lines. Remedy this by choosing an offset cutting plane in the top view such that the front view will be a section view.



4. Create a cutting plane on the Front View through the counterbore and then sketch the resultant Right Side section view.

