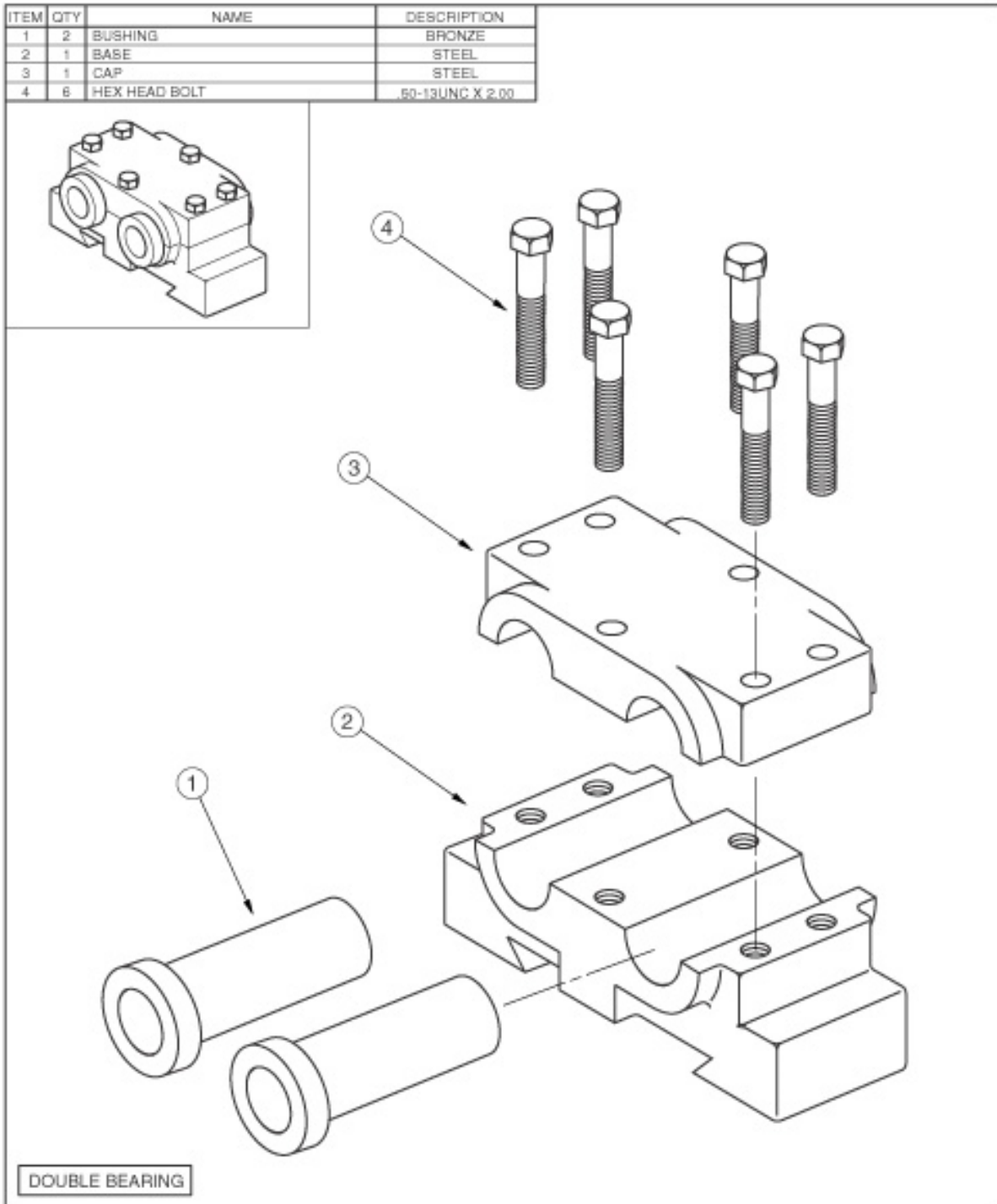


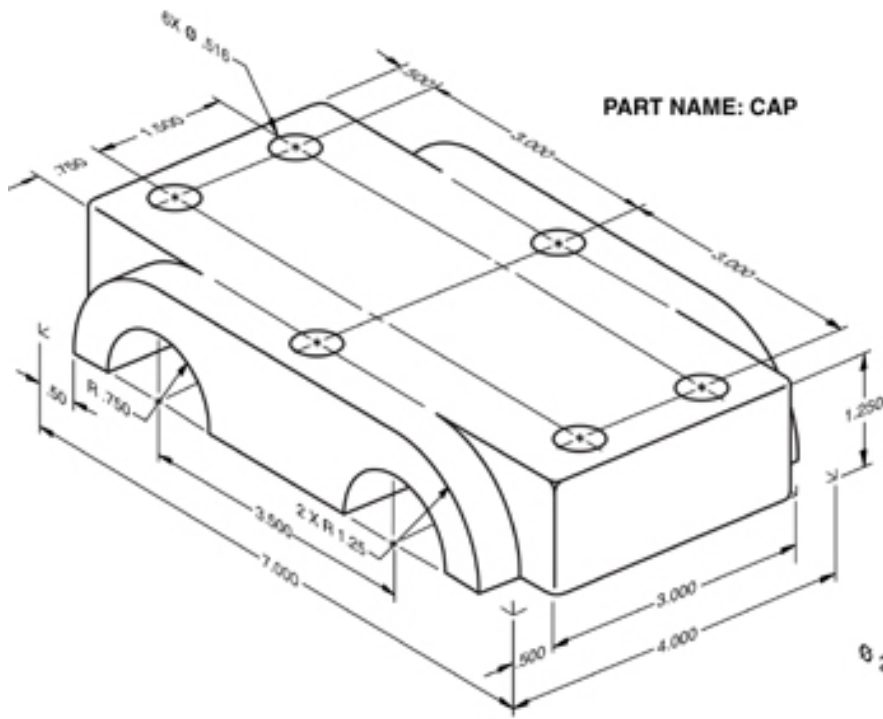
Engr 210 – Lab #18

Working Drawings and Assemblies

For the given figure, do the following:

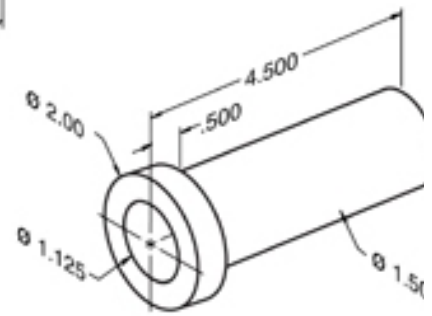
1. Create 3-D models for each part.
2. Create dimensioned detail drawings of each nonstandard part in the assembly.
3. Create a pictorial assembly drawing. Label all parts in the assembly drawing. Create an ANSI standard parts list with all relevant information for the parts in the assembly.
4. Create a photorealistic pictorial assembly rendering of the problem.



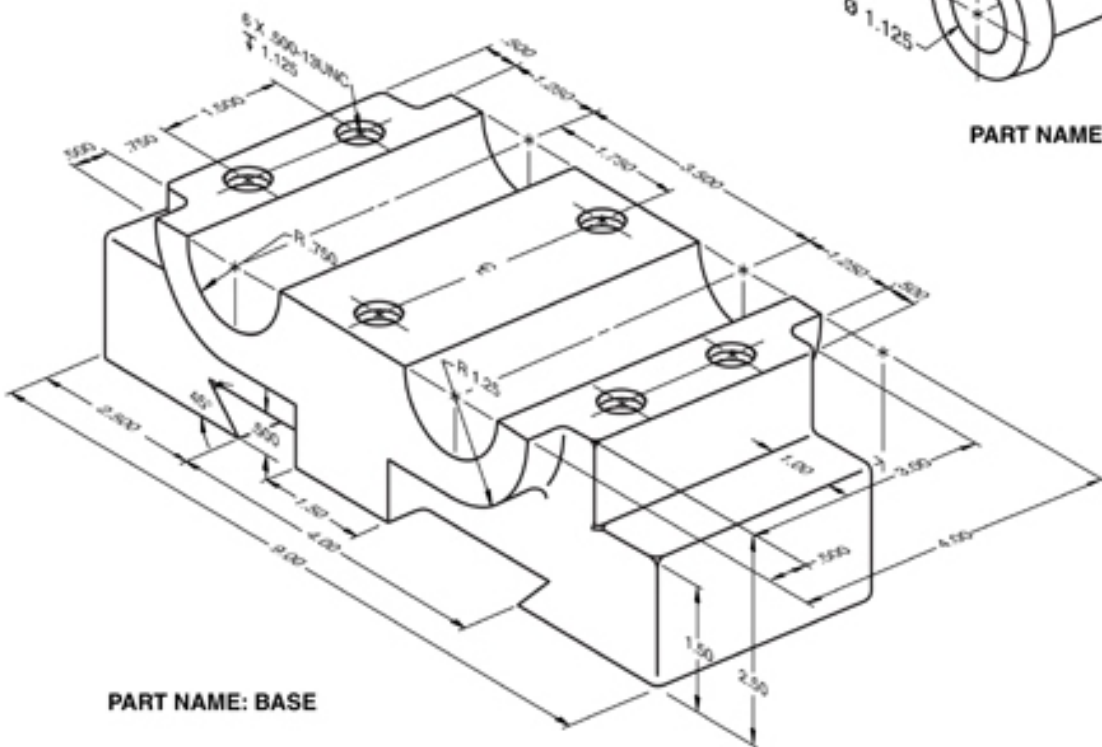


PART NAME: CAP

NOTE: FILLETS AND ROUNDS .10



PART NAME: BUSHING



PART NAME: BASE